



# INSTALLATION INSTRUCTIONS

Accessory

SADDLEBAG EMBLEM (Black)  
P/N 08F70-MKC-AK0

Application

GL1800/D/DA  
GL1800B/BD

Publication No.

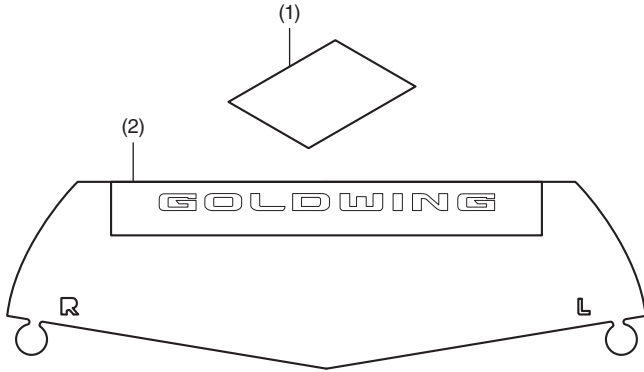
MII 17336

Issue Date

November 2019

**Honda Dealer: Please give a copy of these instructions to your customer.**

## PARTS LIST



No.	Description	Qty
(1)	Installation instructions URL	1
(2)	Emblem	2

## SUPPLIES REQUIRED

Isopropyl alcohol

Shop towel

## INSTALLATION

### ▲ CAUTION

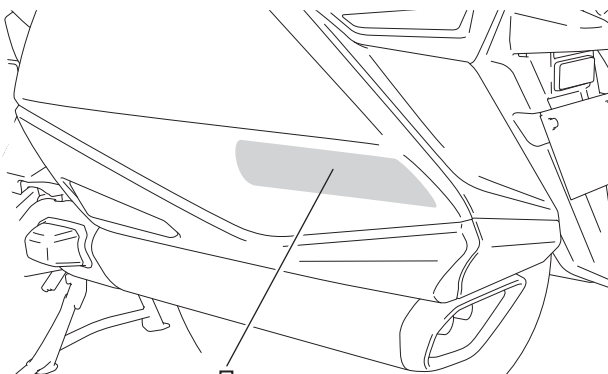
- To prevent burns, allow the engine, exhaust system, radiator, etc., to cool before installing the accessory.

### NOTE:

- Heat the bonding surfaces with a hair dryer if the ambient air temperature is below 70°F (21°C).
- The adhesive reaches full strength in 72 hours. Wait at least 24 hours before riding your motorcycle.

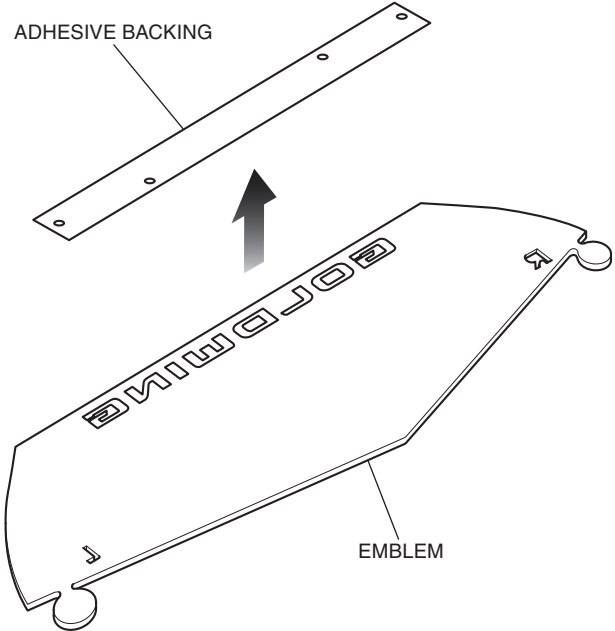
- Clean the surface of the area shown using isopropyl alcohol.

<Left side>

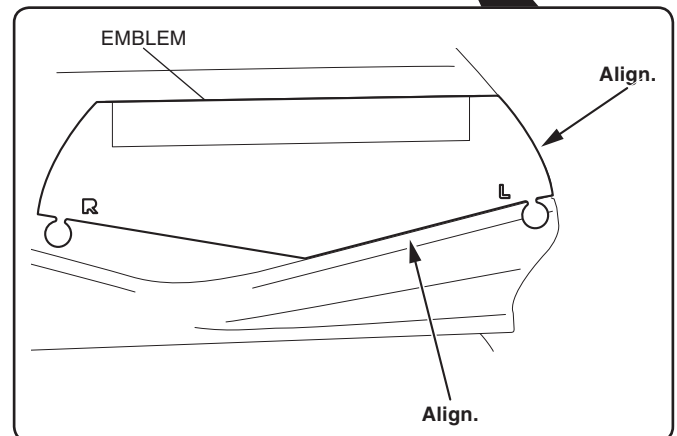
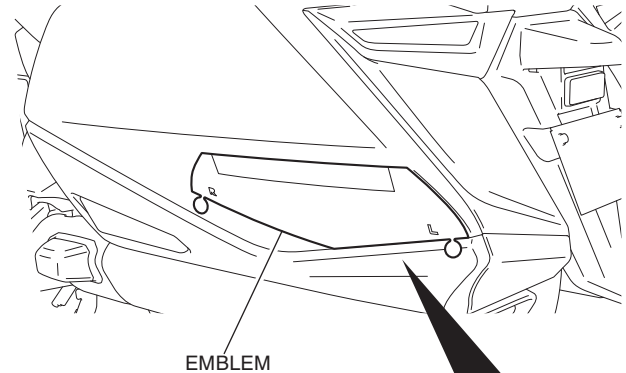


ISOPROPYL ALCOHOL

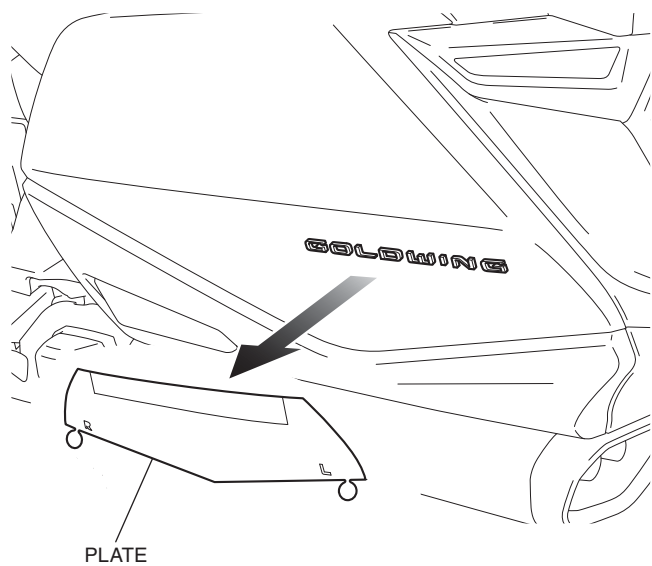
- Remove the adhesive backing as shown.



- Attach the emblem as shown.



4. Remove the plate as shown.



5. Install the right side emblem in the same manner as the left side.